

Coaxial Condensers

Ideal for heat pump and water cooler applications

Optimized for use with Refrigerant R410A. Suitable for R22 and most common refrigerants

Design Features and Ratings

Models	Nom'l HP	Dimensions (inches)								Connections		Ship Wt. (lbs)
		A	B	C	D	E	G	H	J	Refrig. R (ods)	Fluid F (ods)	
SCH-04	.33	1.25	4.00	5.75	6.75	9.25	2.50	5.63	.375	.375	.625	5
SCH-06	.50	1.31	5.06	5.75	6.75	9.25	2.50	5.63	.375	.375	.625	8
SCH-09	.75	1.31	6.19	5.88	6.75	9.25	2.50	6.75	.375	.375	.625	9
SCH-12	1.00	1.41	7.28	5.88	6.75	9.25	2.50	7.94	.375	.375	.625	12
SCH-18	1.50	1.31	5.19	11.50	12.50	13.00	6.00	5.88	.500	.500	.625	16
SCS-24	2.00	4.75	3.38	10.00	12.75	14.00	6.00	5.50	.500	.500	.750	25
SCS-30	2.50	4.56	4.00	10.00	12.75	14.00	6.00	5.38	.500	.500	.750	31
SCS-36	3.00	5.00	4.75	11.25	14.50	15.38	6.00	6.50	.500	.625	.875	35
SCS-42	3.50	4.75	4.63	12.50	15.50	16.00	6.00	5.75	.500	.625	.875	37
SCS-48	4.00	6.00	5.13	14.50	17.75	18.50	6.00	6.88	.500	.875	1.125	55
SCS-60	5.00	6.75	5.75	14.63	18.00	19.00	6.00	7.63	.500	.875	1.125	59
SCS-84	7.00	8.13	6.00	15.50	20.50	22.50	6.00	9.63	.500	.875	1.375	75

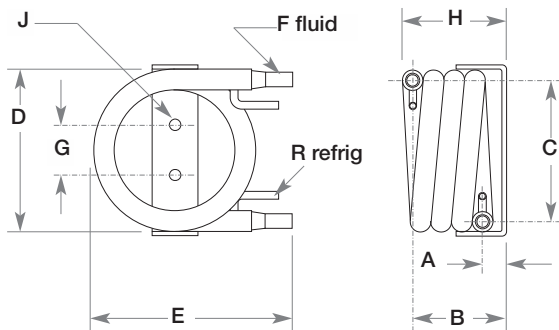
Cupronickel Models	Nom'l HP	Dimensions (inches)								Connections		Ship Wt. (lbs)	Working Pressure (psi)	
		A	B	C	D	E	G	H	J	Refrig. R (ods)	Fluid F (ods)		Shell	Tube
SCH-12CN	1.00	1.41	7.28	5.88	6.75	9.25	2.50	7.94	.375	.375	.625	12	600	350
SCH-18CN	1.50	1.31	5.19	11.50	12.50	13.00	6.00	5.88	.500	.500	.750	16	600	350
SCS-24CN	2.00	4.75	3.38	10.00	12.75	14.00	6.00	5.50	.500	.500	.750	25	600	350
SCS-36CN	3.00	5.00	4.75	11.25	14.50	15.38	6.00	6.50	.500	.625	.875	35	600	350
SCS-48CN	4.00	6.00	5.13	14.50	17.75	18.50	6.00	6.88	.500	.875	1.125	55	600	350
SCS-60CN	5.00	6.75	5.75	14.63	18.00	19.00	6.00	7.63	.500	.875	1.125	59	600	350

Nominal HP ratings as per ARI standard 450-2007

- High efficiency counterflow design
- Ideal for domestic heat pumps, and water coolers
- Replacement models for most manufactures
- Copper and 90/10 Cupronickel tube models stocked
- UL and CSA listed
- 18 coaxial models from, 1/3 to 7 hp



Helix SCH models



Spiral SCS models

