

The EVP-ACH Single-Circuit Evaporators are copper-braced and feature a built-in distributor. Optimized for use with refrigerant R410A.

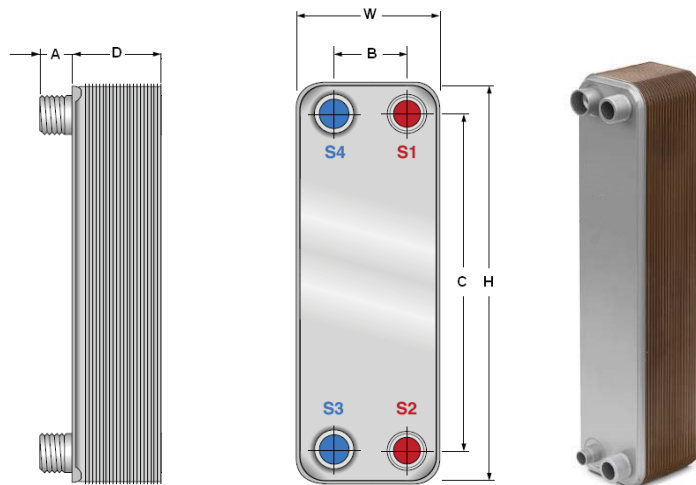
For other refrigerants, please contact us at [coils@discountcoil.com](mailto:coils@discountcoil.com)

Four Frame Sizes

Model	Nominal Tons <sup>1</sup>	Description	Part Number	Connections (ids)		Dry Wt. (lbs.)	Dimensions (in.)			
				Ref. Liq/ Suction in/out	Water In/Out		"D"	"A" Liq, Suct, Water	"B"	"C"
<b>Frame Size 12.8" H x 3.7" W (Includes studbolts) Working Pressure 650 PSIG</b>										
EVP-1M-ACH	1	ACH-30EQ-10H R52	3287084893	3/8", 7/8"	7/8"	4.2	0.9	0.95	1.54	10.6
EVP-2M-ACH	2	ACH-30EQ-20H R52	3287084894	3/8", 7/8"	7/8"	6.2	1.5	0.95	1.54	10.6
EVP-3.5M-ACH	3.5	ACH-30EQ-30H S09	3287084895	1/2", 7/8"	7/8"	8.2	2.1	0.95	1.54	10.6
EVP-5M-ACH	5	ACH-30EQ-40H S09	3287084896	1/2", 7/8"	7/8"	10.2	2.7	0.95	1.54	10.6
EVP-6M-ACH	6	ACH-30EQ-50H S21	3287084897	5/8", 1-1/8"	1-1/8"	12.2	3.3	0.95	1.54	10.6
EVP-7.5M-ACH	7.5	ACH-30EQ-60H S21	3287084898	5/8", 1-1/8"	1-1/8"	14.2	3.9	0.95	1.54	10.6
<b>Frame Size 20.7" H x 4.4" W (Includes studbolts) Working Pressure 650 PSIG</b>										
EVP-5L-ACH	5	ACH-70X-22M S21	3287083717	5/8", 1-1/8"	1-1/8"	11.3	3.3	0.95	1.97	18.35
EVP-6L-ACH	6	ACH-70X-26M S21	3287083718	5/8", 1-1/8"	1-1/8"	12.9	3.7	0.95	1.97	18.35
EVP-7.5L-ACH	7.5	ACH-70X-32M S21	3287083719	5/8", 1-1/8"	1-1/8"	15.3	4.2	0.95	1.97	18.35
EVP-10L-ACH	10	ACH-70X-42M S24	3287083720	5/8", 1-3/8"	1-1/8"	19.3	5.1	0.95	1.97	18.35
EVP-12L-ACH	12	ACH-70X-50M S24	3287083721	5/8", 1-3/8"	1-1/8"	22.5	5.9	0.95	1.97	18.35
EVP-15L-ACH	15	ACH-70X-62M S25	3287083723	5/8", 1-3/8"	1-3/8"	27.3	7	0.95	1.97	18.35
EVP-20L-ACH	20	ACH-70X-78M R49	3287083725	7/8", 1-3/8"	1-3/8"	33.7	8.4	0.95	1.97	18.35
EVP-25L-ACH	25	ACH-70X-100M R49	3287083727	7/8", 1-3/8"	1-3/8"	42.4	10.4	0.95	1.97	18.35
<b>Frame Size 24.3" H x 7.6" W (Includes studbolts) Working Pressure 650 PSIG</b>										
EVP-15XL-ACH	15	ACH-120EQ-30H S46	3287083729	7/8", 2-1/8"	2-1/8"	45.9	3.3	0.95,1.58,1.58	3.62	20.43
EVP-25XL-ACH	25	ACH-120EQ-46H S62	3287083731	1-1/8", 2-1/8"	2-1/8"	61.4	4.7	0.95,1.58,1.58	3.62	20.43
EVP-30XL-ACH	30	ACH-120EQ-60H S62	3287083732	1-1/8", 2-1/8"	2-1/8"	75	6.1	0.95,1.58,1.58	3.62	20.43
EVP-40XL-ACH	40	ACH-120EQ-76H S62	3287083733	1-1/8", 2-1/8"	2-1/8"	90.5	7.6	0.95,1.58,1.58	3.62	20.43
EVP-45XL-ACH	45	ACH-120EQ-90H S62	3287083734	1-1/8", 2-1/8"	2-1/8"	104.1	8.9	0.95,1.58,1.58	3.62	20.43
EVP-50XL-ACH	50	ACH-120EQ-106H S62	3287083735	1-1/8", 2-1/8"	2-1/8"	119.6	10.4	0.95,1.58,1.58	3.62	20.43
EVP-60XL-ACH	60	ACH-120EQ-124H S62	3287083736	1-1/8", 2-1/8"	2-1/8"	137.1	12.1	0.95,1.58,1.58	3.62	20.43
<b>Frame Size 33.5" H x 12.7" W (Includes lifting lugs and feet) Working Pressure 650 PSIG</b>										
EVP-50XXL-ACH	50	ACH-500EQ-70H Y55	3287084411	1-3/8", 2-5/8"	3" Victaulic	162.7	7.66	1.18, 2.05, 2.05	4.03	24.88
EVP-60XXL-ACH	60	ACH-500EQ-80H Y55	3287084412	1-3/8", 2-5/8"	3" Victaulic	181.2	8.69	1.18, 2.05, 2.05	4.03	24.88
EVP-75XXL-ACH	75	ACH-500EQ-100H Y55	3287084414	1-3/8", 2-5/8"	3" Victaulic	218.2	10.75	1.18, 2.05, 2.05	4.03	24.88
EVP-100XXL-ACH	100	ACH-500EQ-130H Y55	3287084415	1-3/8", 2-5/8"	3" Victaulic	273.7	13.83	1.18, 2.05, 2.05	4.03	24.88

<sup>1</sup> Nominal Tons - 12,000 BTU/H per Ton, 54 deg F EWT, 44 deg F LWT, 36 to 39 deg F SST R410A, 6 deg F SuperHeat. 2.4GPM per Ton. Water press.drop less than 10 psig

<sup>2</sup> For performance with other refrigerants and/or fluids other than water, please contact Customer Service.



The EVP-ACH2 Dual Circuit Evaporators are copper-brazed and feature a built-in distributor. Optimized for use with R410A.

For other refrigerants, please contact us at [coils@discountcoil.com](mailto:coils@discountcoil.com)

Two Frame Sizes

Model	Nominal Tons*	Description	Part Number	Connections (ids)			Dry Wt. (lbs.)	Dimensions (in.)			
				Front Plate Ref. In/Out <sup>3</sup>	Rear Plate Water In/Out T1 - T2	"D"		"A" Liq,Suct,Water	"B" front	"C" front/rear	
<b>Frame Size 19" H x 10" W (includes studbolts)</b>				<b>Working Pressure 650 PSIG</b>							
EVP-12.5L-ACH2	12.5	ACH-230DQ-30H	3287084565	7/8", 1 1/8"	2" Victaulic	38	3.9	0.95, 1.18, 1.89	6.10	15.75, 14.53	
EVP-20L-ACH2	20	ACH-230DQ-50H	3287084567	7/8", 1 3/8"	2" Victaulic	56	6.2	0.95, 1.18, 1.89	6.10	15.75, 14.53	
EVP-30L-ACH2	30	ACH-230DQ-70H	3287084569	7/8", 1 3/8"	2" Victaulic	73	8.6	0.95, 1.18, 1.89	6.10	15.75, 14.53	
EVP-40L-ACH2	40	ACH-230DQ-90H	3287084570	7/8", 1 5/8"	2-1/2" Victaulic	93	10.9	0.95, 1.18, 1.89	6.10	15.75, 14.53	
EVP-50L-ACH2	50	ACH-230DQ-110H	3287084571	1 1/8", 1 5/8"	2-1/2" Victaulic	109	13.2	0.95, 1.18, 1.89	6.10	15.75, 14.53	
EVP-60L-ACH2	60	ACH-230DQ-138H	3287084572	1 1/8", 2 1/8"	2-1/2" Victaulic	134	16.5	0.95, 1.57, 1.89	6.10	15.75, 14.53	
EVP-70L-ACH2	70	ACH-230DQ-170H	3287084573	1 1/8", 2 1/8"	2-1/2" Victaulic	162	20.2	0.95, 1.57, 1.89	6.10	15.75, 14.53	
EVP-80L-ACH2	80	ACH-230DQ-202H	3287084574	1 1/8", 2 1/8"	2-1/2" Victaulic	190	23.9	0.95, 1.57, 1.89	6.10	15.75, 14.53	
<b>Frame Size 29" H x 13" W (Includes lifting lugs and feet)</b>				<b>Working Pressure 650 PSIG</b>							
EVP-100XXL-ACH2	100	ACH-500DQ-110H	3287084579	1 3/8", 2 5/8"	3" Victaulic	238	11.8	1.18, 2.05, 2.05	8.07	24.87, 22.36	
EVP-120XXL-ACH2	120	ACH-500DQ-138H	3287084581	1 3/8", 2 5/8"	3" Victaulic	290	14.7	1.18, 2.05, 2.05	8.07	24.87, 22.36	
EVP-140XXL-ACH2	140	ACH-500DQ-170H	3287084583	1 3/8", 2 5/8"	3" Victaulic	349	17.9	1.18, 2.05, 2.05	8.07	24.87, 22.36	
EVP-150XXL-ACH2	150	ACH-500DQ-190H	3287084584	1 3/8", 2 5/8"	3" Victaulic	386	20.0	1.18, 2.05, 2.05	8.07	24.87, 22.36	
EVP-160XXL-ACH2	160	ACH-500DQ-206H	3287084585	1 3/8", 2 5/8"	3" Victaulic	416	21.6	1.18, 2.05, 2.05	8.07	24.87, 22.36	

\*Nominal Tons - 12,000 BTU/H per Ton, 54 deg F EWT, 44 deg F LWT, 36 to 39 deg F SST R410A, 6 deg F Super-Heat. 2.4GPM per Ton. Water press.drop less than 10 psig

<sup>2</sup>For performance with other refrigerants and/or fluids other than water, please contact us at [coils@discountcoil.com](mailto:coils@discountcoil.com)

<sup>3</sup>Diagonal flow connectors.

