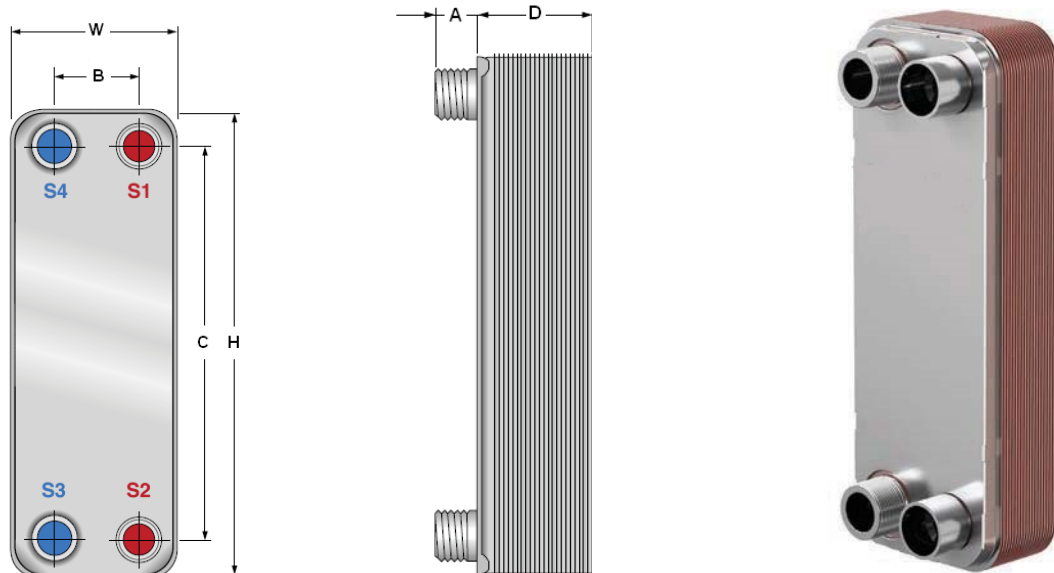


CND-CB Single-Circuit Condensers are copper-brazed.
Optimized for R22.

Four Frame Sizes

Model	Nominal HP*	Description	Part Number	Connections (ids)			Dimensions (in.)			
				Refrigerant Inlet/Outlet S4/S3	Water Inlet/Outlet S2/S1	Dry Wt. (lbs.)	"D"	"A"	"B"	"C"
Frame Size 8.2" H x 3.1" W Working Pressure 500 PSIG										
CND-03S-CB	0.3	CB14-12H S15	32870 5256 7	5/8"	5/8"	2.5	1.4	0.95	1.65	6.78
CND-05S-CB	0.4	CB14-14H S15	32870 0075 5	5/8"	5/8"	3.3	1.7	0.95	1.65	6.78
Frame Size 12.2" H x 4.4" W (Includes studbolts) Working Pressure 450 PSIG										
CND-1M-CB	0.8	CB30-12H S15	3287099352	5/8"	5/8"	6.51	1.6	0.95	1.97	9.84
CND-1.5M-CB	1.5	CB30-18H S33	3287099353	7/8"	7/8"	7.84	2.15	0.95	1.97	9.84
CND-2M-CB	2	CB30-24H S33	3287099358	7/8"	7/8"	9.12	2.69	0.95	1.97	9.84
CND-3M-CB	3	CB30-34H S52	3287099359	1-1/8"	1-1/8"	11.38	3.6	0.95	1.97	9.84
CND-4M-CB	4	CB30-44H S52	3287099360	1-1/8"	1-1/8"	13.5	4.51	0.95	1.97	9.84
CND-5M-CB	5	CB30-54H S52	3287099361	1-1/8"	1-1/8"	15.63	5.42	0.95	1.97	9.84
CND-6M-CB	6	CB30-64H S52	3287099363	1-1/8"	1-1/8"	17.76	6.33	0.95	1.97	9.84
Frame Size 20.7" H x 4.4" W (Includes studbolts) Working Pressure 650 PSIG										
CND-4L-CB	4	CBH-60-16H S52	3287103910	1-1/8"	1-1/8"	11.04	2	0.95	1.97	18.35
CND-6L-CB	6	CBH-60-24H S52	3287103911	1-1/8"	1-1/8"	14.15	2.7	0.95	1.97	18.35
CND-7.5L-CB	7.5	CBH-60-30H S52	3287103912	1-1/8"	1-1/8"	16.48	3.3	0.95	1.97	18.35
CND-10L-CB	10	CBH-60-40H S52	3287103913	1-1/8"	1-1/8"	20.36	4.2	0.95	1.97	18.35
CND-12.5L-CB	12.5	CBH-60-48H S52	3287103914	1-1/8"	1-1/8"	23.46	5	0.95	1.97	18.35
CND-14L-CB	14	CBH-60-62H S52	3287103915	1-1/8"	1-1/8"	28.89	6.3	0.95	1.97	18.35
Frame Size 24.3" H x 7.6" W Working Pressure 435 PSIG										
CND-10XL-CB	10	CB76-20H S89	32870 0095 7	2-1/8"	2-1/8"	36.2	2.61	1.58	3.62	20.43
CND-15XL-CB	15	CB76-30H S89	32870 0095 8	2-1/8"	2-1/8"	45.9	3.72	1.58	3.62	20.43
CND-20XL-CB	20	CB76-40H S89	32870 0095 9	2-1/8"	2-1/8"	55.6	4.83	1.58	3.62	20.43
CND-25XL-CB	27	CB76-50H S89	32870 0096 0	2-1/8"	2-1/8"	65.3	5.94	1.58	3.62	20.43
CND-30XL-CB	33	CB76-60H S89	32870 5095 2	2-1/8"	2-1/8"	75	7.05	1.58	3.62	20.43
CND-45XL-CB	46	CB76-80H S89	32870 5095 3	2-1/8"	2-1/8"	94.4	9.27	1.58	3.62	20.43
CND-60XL-CB	58	CB76-100H S89	32870 5095 4	2-1/8"	2-1/8"	113.8	11.49	1.58	3.62	20.43

*Nominal HP - 15K BTUH per HP, 195°F EGT, 105°F SCT R22, 5°F Subcooling, 85°F EWT, 95°F LWI
FF=0.0001 Ft³/hr, °F/BTU Water pressure drop less than 10 Psig
For performance with other refrigerants and/or fluids other than water, please contact Customer Service.



CND-ACH - Copper-Brazed Plate Heat Exchangers - R410A High Efficiency Single-Circuit **Condensers**

CND-ACH Single-Circuit Condensers are copper-brazed.

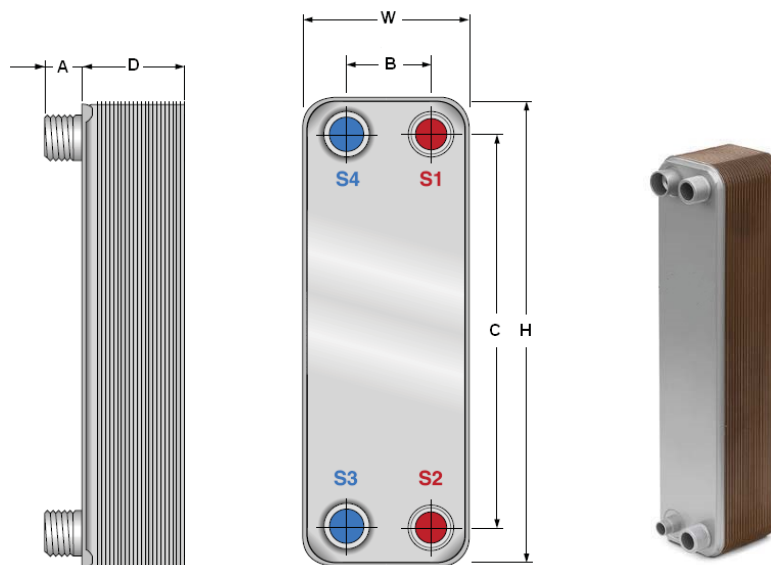
Optimized for use with R410A.

Suitable for R22 and most common refrigerants.

Four Frame Sizes

Model	Nominal HP ¹	Description	Part Number	Connections (ids)		Dry Wt. (lbs.)	Dimensions (in.)			
				Refrigerant Inlet/Outlet (S4/S3)	Water Inlet/Outlet (S2/S1)		"D"	"A" Liq, Suct, Water	"B"	"C"
Frame Size 12.8" H x 3.7" W (Includes studbolts) Working Pressure 650 PSIG										
CND-0.75M-ACH	0.75	ACH-30EQ-10H R52	3287084893	7/8", 3/8"	7/8"	4.2	0.9	0.95	1.54	10.6
CND-1.5M-ACH	1.5	ACH-30EQ-20H R52	3287084894	7/8", 3/8"	7/8"	6.2	1.5	0.95	1.54	10.6
CND-3M-ACH	3	ACH-30EQ-30H S09	3287084895	7/8", 1/2"	7/8"	8.2	2.1	0.95	1.54	10.6
CND-4M-ACH	4	ACH-30EQ-40H S09	3287084896	7/8", 1/2"	7/8"	10.2	2.7	0.95	1.54	10.6
CND-5M-ACH	5	ACH-30EQ-50H S21	3287084897	1-1/8", 5/8"	1-1/8"	12.2	3.3	0.95	1.54	10.6
CND-6M-ACH	6	ACH-30EQ-60H S21	3287084898	1-1/8", 5/8"	1-1/8"	14.2	3.9	0.95	1.54	10.6
Frame Size 20.7" H x 4.4" W (Includes studbolts) Working Pressure 650 PSIG										
CND-5L-AC	5	ACH-70X-22M S21	3287083717	1-1/8", 5/8"	1-1/8"	11.3	3.3	0.95	1.97	18.35
CND-6L-AC	6	ACH-70X-26M S21	3287083718	1-1/8", 5/8"	1-1/8"	12.9	3.7	0.95	1.97	18.35
CND-7.5L-AC	7.5	ACH-70X-32M S21	3287083719	1-1/8", 5/8"	1-1/8"	15.3	4.2	0.95	1.97	18.35
CND-10L-AC	10	ACH-70X-42M S24	3287083720	1-3/8", 5/8"	1-1/8"	19.3	5.1	0.95	1.97	18.35
CND-12L-AC	12	ACH-70X-50M S24	3287083721	1-3/8", 5/8"	1-1/8"	22.5	5.9	0.95	1.97	18.35
CND-15L-AC	15	ACH-70X-62M S25	3287083723	1-3/8", 5/8"	1-3/8"	27.3	7	0.95	1.97	18.35
CND-20L-AC	20	ACH-70X-78M R49	3287083725	1-3/8", 7/8"	1-3/8"	33.7	8.4	0.95	1.97	18.35
CND-25L-AC	24	ACH-70X-100M R49	3287083727	1-3/8", 7/8"	1-3/8"	42.4	10.4	0.95	1.97	18.35
Frame Size 24.3" H x 7.6" W (Includes studbolts) Working Pressure 650 PSIG										
CND-12.5XL-ACH	12.5	ACH-120EQ-30H S46	3287083729	2-1/8", 7/8"	2-1/8"	45.9	3.3	1.58, 0.95	3.62	20.43
CND-20XL-ACH	20	ACH-120EQ-46H S62	3287083731	2-1/8", 1-1/8"	2-1/8"	61.4	6.1	1.58, 0.95	3.62	20.43
CND-25XL-ACH	25	ACH-120EQ-60H S62	3287083732	2-1/8", 1-1/8"	2-1/8"	75	6.1	1.58, 0.95	3.62	20.43
CND-30XL-ACH	30	ACH-120EQ-76H S62	3287083733	2-1/8", 1-1/8"	2-1/8"	90.5	7.6	1.58, 0.95	3.62	20.43
CND-40XL-ACH	40	ACH-120EQ-90H S62	3287083734	2-1/8", 1-1/8"	2-1/8"	104.1	8.9	1.58, 0.95	3.62	20.43
CND-45XL-ACH	45	ACH-120EQ-106H S62	3287083735	2-1/8", 1-1/8"	2-1/8"	119.6	10.4	1.58, 0.95	3.62	20.43
CND-50XL-ACH	50	ACH-120EQ-124H S62	3287083736	2-1/8", 1-1/8"	2-1/8"	137.1	12.1	1.58, 0.95	3.62	20.43
Frame Size 29.0" H x 13.0" W (Includes lifting lugs and feet) Working Pressure 650 PSIG										
CND-50XXL-ACH	50	ACH-500EQ-70H Y55	3287084411	2-5/8", 1-3/8"	3" Victaulic	162.7	7.66	1.18, 2.05, 2.05	4.03	24.88
CND-60XXL-ACH	60	ACH-500EQ-80H Y55	3287084412	2-5/8", 1-3/8"	3" Victaulic	181.2	8.69	1.18, 2.05, 2.05	4.03	24.88
CND-75XXL-ACH	75	ACH-500EQ-100H Y55	3287084414	2-5/8", 1-3/8"	3" Victaulic	218.2	10.75	1.18, 2.05, 2.05	4.03	24.88
CND-100XXL-ACH	100	ACH-500EQ-130H Y55	3287084415	2-5/8", 1-3/8"	3" Victaulic	273.7	13.83	1.18, 2.05, 2.05	4.03	24.88

¹ Nominal Tons - 15,000 BTU/H per Ton, 195 degF EGT, 105 degF SCT R410A, 5 degF Subcooling, 85 degF EWT, 95 degF LWT. 3GPM per Ton. Water pressure drop less than 10 PSIG
² For performance with other refrigerants and/or fluids other than water, please contact Customer Service.



CND-ACH2 Two Circuit Condensers are copper-brazed.
Optimized for use with R410A.
Suitable for R22 and most common refrigerants.

Two Frame Sizes

Model	Nominal HP*	Description	Part Number	Connections (ids)		Dry Wt. (lbs.)	Dimensions (in.)			
				Front Plate Ref. In/Out ³	Rear Plate Water In/Out T1 - T2		"D"	"A" Liq, Suct, Water	"B" front	"C" front/rear
Frame Size 19" H x 10" W (Includes studbolts)				Working Pressure 650 PSIG						
CND-12.5L-ACH2	12.5	ACH-230DQ-30H	3287084565	1 1/8", 7/8"	2" Victaulic	38	3.9	0.95, 1.18, 1.89	6.10	15.75, 14.53
CND-20L-ACH2	20	ACH-230DQ-50H	3287084567	1 3/8", 7/8"	2" Victaulic	56	6.2	0.95, 1.18, 1.89	6.10	15.75, 14.53
CND-30L-ACH2	30	ACH-230DQ-70H	3287084569	1 3/8", 7/8"	2" Victaulic	73	8.6	0.95, 1.18, 1.89	6.10	15.75, 14.53
CND-40L-ACH2	40	ACH-230DQ-90H	3287084570	1 5/8", 7/8"	2-1/2" Victaulic	93	10.9	0.95, 1.18, 1.89	6.10	15.75, 14.53
CND-50L-ACH2	50	ACH-230DQ-110H	3287084571	1 5/8", 1 1/8"	2-1/2" Victaulic	109	13.2	0.95, 1.18, 1.89	6.10	15.75, 14.53
CND-60L-ACH2	60	ACH-230DQ-138H	3287084572	2 1/8", 1 1/8"	2-1/2" Victaulic	134	16.5	0.95, 1.57, 1.89	6.10	15.75, 14.53
CND-70L-ACH2	70	ACH-230DQ-170H	3287084573	2 1/8", 1 1/8"	2-1/2" Victaulic	162	20.2	0.95, 1.57, 1.89	6.10	15.75, 14.53
CND-80L-ACH2	80	ACH-230DQ-202H	3287084574	2 1/8", 1 1/8"	2-1/2" Victaulic	190	23.9	0.95, 1.57, 1.89	6.10	15.75, 14.53
Frame Size 29" H x 13" W (Includes lifting lugs and feet)				Working Pressure 650 PSIG						
CND-100XXL-ACH2	100	ACH-500DQ-110H	3287084579	2 5/8", 1 3/8"	3" Victaulic	238	11.8	1.18, 2.05, 2.05	8.07	24.87, 22.36
CND-120XXL-ACH2	120	ACH-500DQ-138H	3287084581	2 5/8", 1 3/8"	3" Victaulic	290	14.7	1.18, 2.05, 2.05	8.07	24.87, 22.36
CND-140XXL-ACH2	140	ACH-500DQ-170H	3287084583	2 5/8", 1 3/8"	3" Victaulic	349	17.9	1.18, 2.05, 2.05	8.07	24.87, 22.36
CND-150XXL-ACH2	150	ACH-500DQ-190H	3287084584	2 5/8", 1 3/8"	3" Victaulic	386	20.0	1.18, 2.05, 2.05	8.07	24.87, 22.36
CND-160XXL-ACH2	160	ACH-500DQ-206H	3287084585	2 5/8", 1 3/8"	3" Victaulic	416	21.6	1.18, 2.05, 2.05	8.07	24.87, 22.36

¹ Nominal Tons - 15,000 BTU/H per Ton, 195 degF EGT, 105 degF SCT R410A, 5 degF Subcooling, 85 degF EWT, 95 degF LWT. 3GPM per Ton.

Water ² For performance with other refrigerants and/or fluids other than water, please contact us at coils@discountcoil.com

³ Diagonal flow connectors.

