

1-Circuit
Compact Serviceable Chiller Barrels, Design Features and Ratings

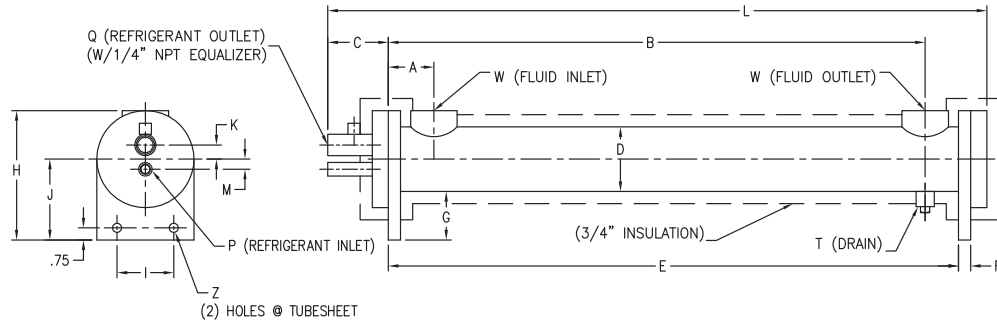
Models	R-22 Nominal Capacity* (TR)	R-134a Nominal Capacity* (TR)	R-22 Pressure Drop (psi)	R-134a Pressure Drop (psi)	Connections				Fluid Volume (gal)	Specifications			Working Pressure (psig)	
					P Ref. In (ids)	Q Ref. Out (ids)	W Fluid Conn.	T Drain (fpt)		Tube Length (inches)	Shell Diameter (inches)	Shipping Weight (lbs)	Shell Side	Tube Side
TX2 -1	2.0	1.8	2.7	2.2	5/8	7/8	1" FPT	3/8	0.4	24	2 3/4	46	225	225
TX3 -1	2.9	2.3	2.1	1.4	5/8	7/8	1" FPT	3/8	0.4	24	2 3/4	50	225	225
TX5 -1	4.9	4.0	2.5	1.7	5/8	1 1/8	1 1/4" FPT	1/2	1.6	36	4	62	225	225
TX6 -1	6.7	5.4	3.3	2.2	5/8	1 1/8	1 1/2" FPT	1/2	1.5	36	4	64	225	225
TX7 1/2 -1	7.6	6.3	3.9	2.7	7/8	1 5/8	1 1/2" FPT	1/2	1.4	36	4	66	225	225
TX10 -1	11.3	9.2	6.0	3.9	7/8	1 5/8	2" FPT	1/2	1.2	36	4	70	225	225
TX12 -1	14.3	11.6	3.8	2.6	7/8	1 5/8	2" FPT	1/2	3.4	36	6	120	225	225
TX15-1	18.3	14.8	5.4	3.6	1 1/8	2 1/8	2 1/2" FPT	1/2	3.2	36	6	128	225	225
TX20-1	22.6	18.4	5.8	3.9	1 1/8	2 1/8	3" FPT	1/2	2.9	36	6	136	225	225
TX25 -1	27.2	22.0	6.1	4.0	1 1/8	2 5/8	3" FPT	1/2	2.6	36	6	142	150	225
TXC30 -1	24.5	29.9	5.3	3.7	1 1/8	2 5/8	3" MPT	3/4	9.3	72	6 5/8	414	150	300
TXC40 -1	32.6	40.2	4.8	3.2	1 3/8	2 5/8	3" MPT	3/4	17.5	72	8 5/8	563	150	300
TXC50 -1	40.7	50.9	5.3	3.4	1 3/8	3 1/8	4" FLANGE	3/4	17.1	72	8 5/8	594	150	300
TXC60 -1	47.7	59.7	4.3	2.8	1 5/8	3 1/8	4" FLANGE	3/4	19.8	84	8 5/8	642	150	300
TXC75 -1	59.5	75.2	5.1	3.2	2 1/8	3 1/8	5" FLANGE	3/4	19.5	84	8 5/8	587	150	300
TXC100-1	79.8	100.4	6.1	3.9	2 1/8	3 5/8	5" FLANGE	3/4	28.4	84	10 3/4	1070	150	225
TXC120-1	98.7	123.4	5.2	3.4	2 1/8	3 5/8	6" FLANGE	3/4	26.9	84	12 3/4	1080	150	225

*Nominal ratings: Include an additive fouling coefficient of 0.0001 ft² hr²/F/Btu over clean rating per AHRI standard 480-2007
 TR = 12,000 Btu/hr

- Serviceable
- 30% - 50% smaller than comparable models
- Easier to handle and position
- New advanced design
- UL listed or ASME
- 3/4" insulation
- Single and dual-circuit designs
- 3 and 4 circuit designs available
- 39 TX/TXC models from 2 through 500 tons
- Ideal for OEM and System Builder replacements

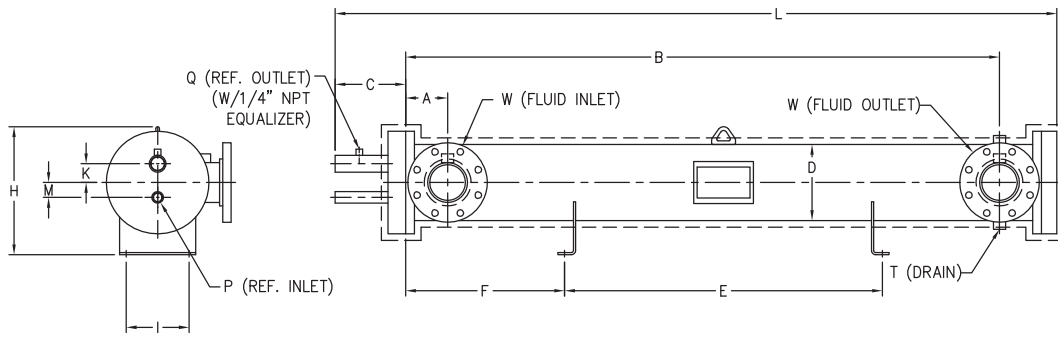
Models	Dimensions (inches)												
	H	L	A	B	C	E	F	G	I	J	K	M	Z
TX2-1	6 1/16	28 1/4	2 1/8	21 7/8	3 1/2	23 1/2	1/2	2 1/2	2 1/2	3 7/8	3/4	11/16	9/16
TX3-1	6 1/16	28 1/4	2 1/8	21 7/8	3 1/2	23 1/2	1/2	2 1/2	2 1/2	3 7/8	3/4	11/16	9/16
TX5-1	8 3/4	40 1/4	2 5/16	33 11/16	3 1/2	35 1/2	1/2	3	3 1/2	5	15/16	3/4	9/16
TX6-1	8	40 1/4	2 7/16	33 9/16	3 1/2	35 1/2	1/2	3	3 1/2	5	15/16	3/4	9/16
TX7 1/2-1	8	40 1/4	2 7/16	33 9/16	3 1/2	35 1/2	1/2	3	3 1/2	5	1 1/16	15/16	9/16
TX10-1	8	40 1/4	2 13/16	33 3/16	3 1/2	35 1/2	1/2	3	3 1/2	5	1 1/16	15/16	9/16
TX12-1	10	41 1/4	2 15/16	33 1/16	4 1/2	35 1/2	1/2	3	5 3/4	6	1 3/16	15/16	9/16
TX15-1	10 5/16	41 1/4	3 3/16	32 13/16	4 1/2	35 1/2	1/2	3	5 3/4	6	1 1/2	1	9/16
TX20-1	11	41 1/4	3 1/2	32 1/2	4 1/2	35 1/2	1/2	3	5 3/4	6	1 1/2	1	9/16
TX25-1	11	41 1/4	3 1/2	32 1/2	4 1/2	35 1/2	1/2	3	5 3/4	6	1 1/2	1 1/4	9/16
TXC30-1	12 1/2	81 3/4	4 1/4	67 3/4	8	36	18	4	5 1/4	-	1 3/4	1 3/4	9/16
TXC40-1	14 1/2	81 3/4	4 1/2	67 1/2	8	36	18	4	7 1/8	-	2 1/8	1 2/3	9/16
TXC50-1	15 1/2	81 3/4	4 3/4	67 1/4	8	36	18	4	7 1/8	-	2 1/4	2 3/8	9/16
TXC60-1	14 1/2	93 3/4	4 3/4	79 1/4	8	42	21	4	7 1/8	-	2 1/4	2 3/8	9/16
TXC75-1	15 1/2	93 3/4	5 1/2	78 1/2	8	42	21	4	7 1/8	-	2 1/4	2 3/8	9/16
TXC100-1	19 5/8	95 1/8	5 3/4	78 1/4	8 3/8	42	21	4 1/2	10 1/4	-	2 3/4	2 3/8	9/16
TXC120-1	19 2/3	94 7/8	6 3/8	77 5/8	8 3/8	42	21	5	11 1/4	-	3 4/9	2 3/4	9/16

TX
1-Circuit



TX2-1 THRU TX25-1

TXC
1-Circuit



TXC30-1 THRU TXC120-1

2-Circuit and Multi-Circuit - Compact Serviceable Chiller Barrels, Design Features and Ratings

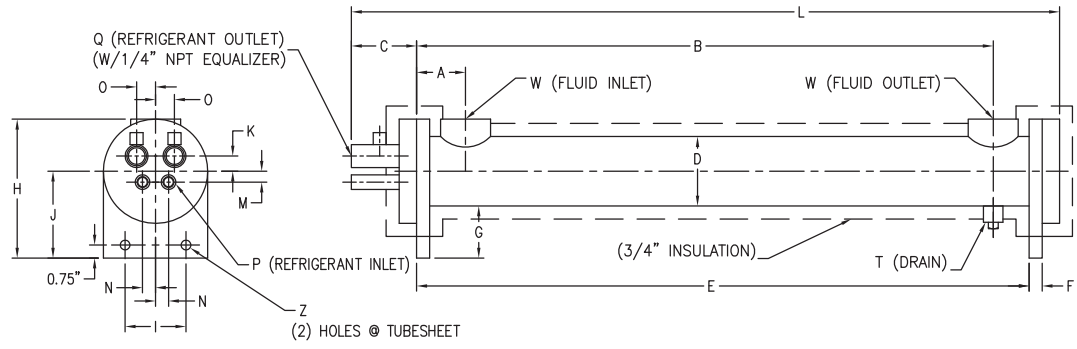
Models	R-22 Nominal Capacity* (TR)	R-134a Nominal Capacity* (TR)	R-22 Pressure Drop (psi)	R-134a Pressure Drop (psi)	Connections				Fluid Volume (gal)	Specifications			Working Pressure (psig)	
					P Ref. In (ids)	Q Ref. Out (ids)	W Fluid Conn.	T Drain (fpt)		Tube Length (inches)	Shell Diameter (inches)	Shipping Weight (lbs)	Shell Side	Tube Side
TX10-2	11	9	6.0	3.9	5/8	1 1/8	2" FPT	1/2	1.2	36	4	70	225	225
TX12-2	14	12	3.8	2.6	5/8	1 1/8	2" FPT	1/2	3.4	36	6	120	225	225
TX15-2	18	15	5.4	3.6	7/8	1 5/8	2 1/2" FPT	1/2	3.2	36	6	128	225	225
TX20-2	23	18	5.8	3.9	7/8	1 5/8	3" FPT	1/2	2.9	36	6	136	225	225
TX25-2	27	22	6.1	4.0	7/8	1 5/8	3" FPT	1/2	2.6	36	6	142	150	225
TXC30-2	25	30	5.3	3.7	7/8	1 5/8	3" MPT	3/4	9.3	72	6 5/8	404	150	300
TXC40-2	33	40	4.8	3.2	1 1/8	2 1/8	3" MPT	3/4	17.5	72	8 5/8	556	150	300
TXC50-2	41	51	5.3	3.4	1 1/8	2 1/8	4" FLANGE	3/4	17.1	72	8 5/8	581	150	300
TXC60-2	48	60	4.3	2.8	1 1/8	2 5/8	4" FLANGE	3/4	19.8	84	8 5/8	634	150	300
TXC75-2	60	75	5.1	3.2	1 3/8	2 5/8	5" FLANGE	3/4	19.5	84	8 5/8	587	150	300
TXC100-2	80	100	6.1	3.9	1 3/8	3 1/8	5" FLANGE	3/4	28.4	84	10 3/4	1070	150	225
TXC120-2	99	123	5.2	3.4	1 3/8	3 1/8	6" FLANGE	3/4	26.9	84	12 3/4	1080	150	225
TXC150-2	123	154	6.7	4.3	1 3/8	3 1/8	6" FLANGE	3/4	34	84	14	1600	150	225
TXC175-2	143	181	6.7	4.3	1 5/8	3 1/8	6" FLANGE	3/4	31	84	16	1700	150	225
TXC200-2	169	212	5.2	3.4	1 5/8	3 1/8	8" FLANGE	3/4	42	84	16	2100	150	225
TXC250-2	198	247	5.6	3.6	2 1/8	3 5/8	8" FLANGE	3/4	39	84	18	2200	150	225
Multi-Circuit														
TX15-3	18	15	5.4	3.6	5/8	1 1/8	2 1/2" FPT	1/2	8.4	72	6	145	225	225
TX20-4	23	18	5.8	3.9	5/8	1 1/8	3" FPT	1/2	8.1	72	6	155	225	225

*Nominal ratings: Include an additive fouling coefficient of 0.0001 ft² hr²/Btu over clean rating per AHRI standard 480-2007
TR = 12,000 Btu/hr

- Serviceable
- 30% - 50% smaller than comparable models
- Easier to handle and position
- New advanced design
- UL listed or ASME
- 3/4" insulation
- Single and dual-circuit designs
- 3 and 4 circuit designs available
- 39 TX/TXC models from 2 through 500 tons
- Ideal for OEM and System Builder replacements

Models	Dimensions (inches)														
	H	L	A	B	C	E	F	G	I	J	K	M	N	O	Z
TX10-2	8	40 1/2	2 13/16	33 3/16	3 1/2	35 1/2	1/2	3	3 1/2	5	11/16	15/16	3/4	1	9/16
TX12-2	10	41 1/4	2 15/16	33 1/16	4 1/2	35 1/2	1/2	3	5 3/4	6	1	3/4	1 1/8	1 1/8	9/16
TX15-2	10 1/3	41 1/4	3 3/16	32 13/16	4 1/2	35 1/2	1/2	3	5 3/4	6	1 3/16	7/8	1 1/4	1 1/4	9/16
TX20-2	11	41 1/4	3 1/2	32 1/2	4 1/2	35 1/2	1/2	3	5 3/4	6	1 3/16	7/8	1 1/4	1 1/4	9/16
TX25-2	11	41 1/4	3 1/2	32 1/2	4 1/2	35 1/2	1/2	3	5 3/4	6	1 3/16	7/8	1 1/4	1 1/4	9/16
TXC30-2	12 1/2	81 3/4	4 1/4	67 3/4	8	54	18	3	5 1/4	-	1 1/2	1 1/2	1 3/4	1 3/4	9/16
TXC40-2	14 1/8	81 3/4	4 1/2	67 1/2	8	54	18	3	7 1/8	-	1 3/4	1 5/8	2	2	9/16
TXC50-2	14 1/8	81 3/4	4 3/4	67 1/4	8	54	18	3	7 1/8	-	1 3/4	1 5/8	2	2	9/16
TXC60-2	15 1/2	93 3/4	4 3/4	79 1/4	8	63	21	3	7 1/8	-	1 3/4	1 5/8	2	2	9/16
TXC75-2	15 1/2	93 3/4	5 1/2	78 1/2	8	63	21	3	7 1/8	-	1 3/4	1 5/8	2	2	9/16
TXC100-2	16 7/8	95 1/8	5 3/4	78 1/4	8 5/8	63	21	4 1/2	11 1/4	-	2 3/8	2 2/3	2 1/4	3 1/8	9/16
TXC120-2	19 5/8	94 7/8	6 3/8	77 5/8	8 3/8	63	21	5	11 1/4	-	2 3/8	2 2/3	2 1/4	3 1/2	9/16
TXC150-2	20 7/8	96 5/8	6 3/8	77 5/8	9 3/8	63	21	5 1/2	12	-	2 5/8	2 1/8	3	3	11/16
TXC175-2	24	96 5/8	6 3/8	77 5/8	9 3/8	63	21	5 1/2	12	-	2 5/8	2 3/4	3 1/3	3 1/3	11/16
TXC200-2	24	96 5/8	7 1/2	76 1/2	9 3/8	63	21	5 1/2	12	-	2 5/8	2 3/4	2 1/2	3 1/3	11/16
TXC250-2	26	96 5/8	7 1/2	76 1/2	9 3/8	63	21	5 1/2	12	-	3 1/2	3	2 1/2	3 3/4	11/16
Multi-Circuit															
TX15-3 and TX20-4	Note: Multi-circuit model drawings on request.														

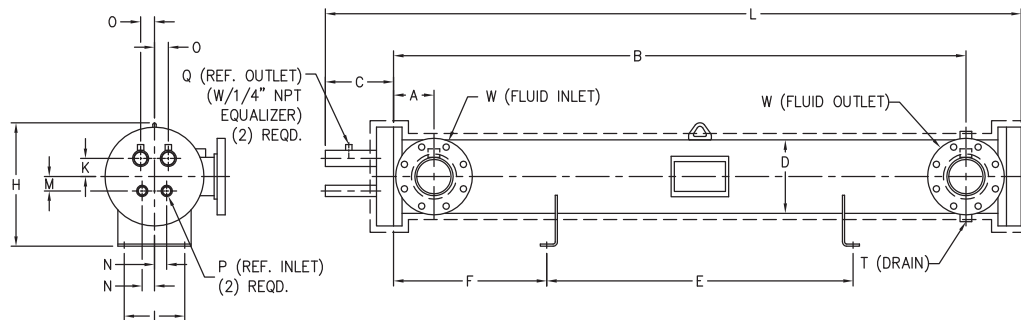
TX
2-Circuit



TX10-2 THRU TX25-2

Other multi-circuit models available, consult with factory.
Dimensions do not include the 3/4" factory insulation.

TXC
2-Circuit



TXC30-2 THRU TXC250-2

Dimensions do not include the 3/4" factory insulation.

Compact Serviceable Chiller Barrels, Design Features and Ratings 1-Circuit
High refrigerant pressure rating and performance optimized for use with R410A

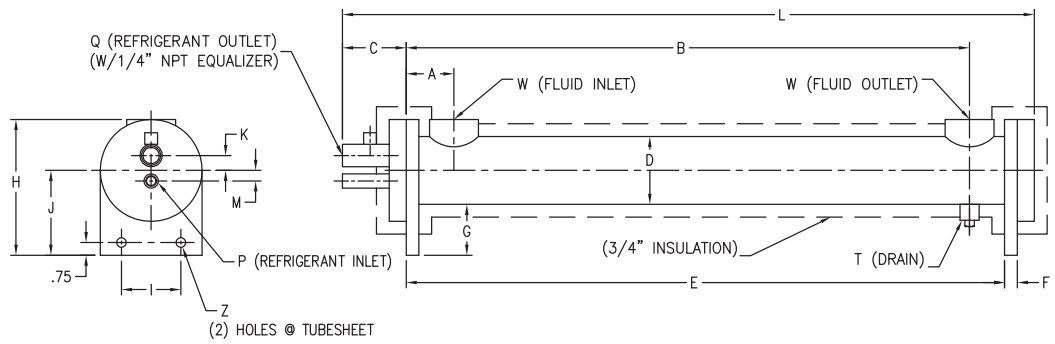
Models	R-410a Nom'l Cap.* (TR)	R-410a Pressure Drop (TR)	Connections				Fluid Volume (gal)	Specifications			Working Pressure (psig)	
			P Ref. In (ids)	Q Ref. Out (ids)	W Fluid Conn.	T (fpt)		Tube Length (inches)	D-Shell Shell Diameter (inches)	Shipping Weight (lbs)	Shell Side	Tube Side
TX2-1-410	2.0	1.7	3/8	5/8	1" FPT	3/8	0.4	36	2 3/4	46	225	375
TX3-1-410	3.1	2.7	3/8	7/8	1" FPT	3/8	0.4	36	2 3/4	50	225	375
TX5-1-410	5.0	2.4	5/8	7/8	1.25" FPT	1/2	1.6	36	4	62	225	375
TX6-1-410	6.0	2.6	5/8	7/8	1.5" FPT	1/2	1.5	36	4	64	225	375
TX7 1/2-1-410	7.5	3.0	5/8	1 1/8	1.5" FPT	1/2	1.4	36	4	66	225	375
TX10-1-410	10.2	4.0	5/8	1 1/8	2" FPT	1/2	1.2	36	4	70	225	375
TX12-1-410	12.0	5.0	7/8	1 3/8	2" FPT	1/2	3.4	36	6	120	225	375
TX15-1-410	15.1	5.2	7/8	1 3/8	2.5" FPT	1/2	3.2	36	6	128	225	375
TX20-1-410	19.7	5.9	7/8	1 5/8	2.5" FPT	1/2	2.9	36	6	136	225	375
TX25-1-410	25.0	4.7	7/8	1 5/8	3" FPT	1/2	2.6	36	6	142	225	375
TXC30-1R410	30.0	5.1	1 1/8	2 1/8	3" MPT	3/4	9.4	72	6 5/8	414	150	375
TXC40-1R410	40.0	4.9	1 1/8	2 1/8	3" MPT	3/4	17.7	72	8 5/8	563	150	375
TXC50-1R410	50.0	4.4	1 3/8	2 1/8	4" FLG	3/4	17.3	72	8 5/8	594	150	375
TXC60-1R410	60.0	6.0	1 3/8	2 5/8	4" FLG	3/4	20.1	84	8 5/8	642	150	375
TXC75-1R410	75.0	6.8	1 5/8	3 1/8	5" FLG	3/4	19.8	84	8 5/8	587	150	375
TXC100-1R410	100.0	5.7	2 1/8	3 1/8	5" FLG	3/4	28.8	84	10 3/4	1070	150	375
TXC120-1R410	120.0	4.5	2 1/8	3 5/8	6" FLG	3/4	27.2	84	12 3/4	1080	150	375

*Nominal ratings: Include an additive fouling coefficient of 0.0001 ft² hr²F/Btu over clean rating per AHRI standard 480-2007
 TR = 12,000 Btu/hr

- Serviceable
- 30% - 50% smaller than comparable models
- Easier to handle and position
- New advanced design
- UL listed or ASME
- 3/4" insulation
- Single and dual-circuit designs
- Custom DX designs available to 800 tons
- 33 TX/TXC-410 models from 2 through 200 tons
- Ideal for OEM and System Builder applications

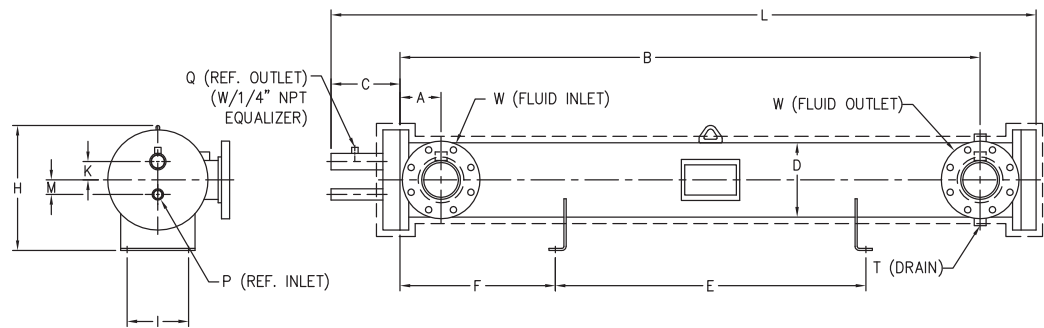
Models	Dimensions (inches)												
	H	L	A	B	C	E	F	G	I	J	K	M	Z
TX2-1-410	6 1/4	40 1/4	2 1/8	33 7/8	3 1/2	35 1/2	1/2	2 1/2	2 1/2	3 7/8	3/4	11/16	9/16
TX3-1-410	6 1/8	40 1/4	2 1/8	21 7/8	3 1/2	23 5/8	1/2	2 1/2	2 1/2	3 7/8	3/4	11/16	9/16
TX5-1-410	8	40 3/4	2 1/3	33 2/3	3 3/4	35 1/4	3/4	2 1/2	3 1/2	5	15/16	3/4	9/16
TX6-1-410	8	40 3/4	2 4/9	33 5/9	3 3/4	35 1/4	3/4	2 1/2	3 1/2	5	15/16	3/4	9/16
TX7 1/2-1-410	8	40 3/4	2 4/9	33 5/9	3 3/4	35 1/4	3/4	2 1/2	3 1/2	5	1 1/16	15/16	9/16
TX10-1-410	8	40 1/4	2 4/5	33 1/5	3 3/4	35 1/4	3/4	2 1/2	3 1/2	5	1 1/16	15/16	9/16
TX12-1-410	10	42 1/4	3	33	5	35.25	3/4	3	5 3/4	6	1 3/16	15/16	9/16
TX15-1-410	11	42 1/4	3 1/5	32 1/6	5	35.25	3/4	3	5 3/4	6	1 1/2	1	9/16
TX20-1-410	11	42 1/4	3 1/5	32 1/6	5	35.25	3/4	3	5 3/4	6	1 1/2	1	9/16
TX25-1-410	11	41 1/4	3 3/4	32 1/4	5	35.25	3/4	3	5 3/4	6	1 1/2	1 1/4	9/16
TXC30-1R410	12 3/8	81 1/2	4 1/4	67 3/4	8	54	18	3	5 1/4	-	1 3/4	1 3/4	9/16
TXC40-1R410	14	81 3/4	4 1/2	67 3/4	8	54	18	3	7 1/8	-	2 1/8	1 2/3	9/16
TXC50-1R410	14	81 3/4	4 1/2	67 3/4	8	54	18	3	7 1/8	-	2 1/4	2 3/8	9/16
TXC60-1R410	17 1/2	93 3/4	4 3/4	79 1/4	8	63	21	3	7 1/8	-	2 1/4	2 3/8	9/16
TXC75-1R410	18 1/2	93 3/4	5 1/2	78 1/2	8	63	21	3	7 1/8	-	2 1/4	2 3/8	9/16
TXC100-1R410	16 1/4	95 1/8	5 1/2	78 1/2	8 5/8	63	21	3 1/2	9 1/4	-	2 3/4	2 3/8	9/16
TXC120-1R410	18 4/7	94 7/8	6 3/8	77 5/8	8 3/8	63	21	3 1/2	11 1/4	-	3 4/9	2 3/4	9/16

TX - R410A
1-Circuit



TX2-1-410 THRU TX25-1-410

TXC-R410A
1-Circuit



TXC30-1-410 THRU TXC120-1-410

Compact Serviceable Chiller Barrels, Design Features and Ratings 2-Circuit and Multi-Circuit
High refrigerant pressure rating and performance optimized for use with R410A

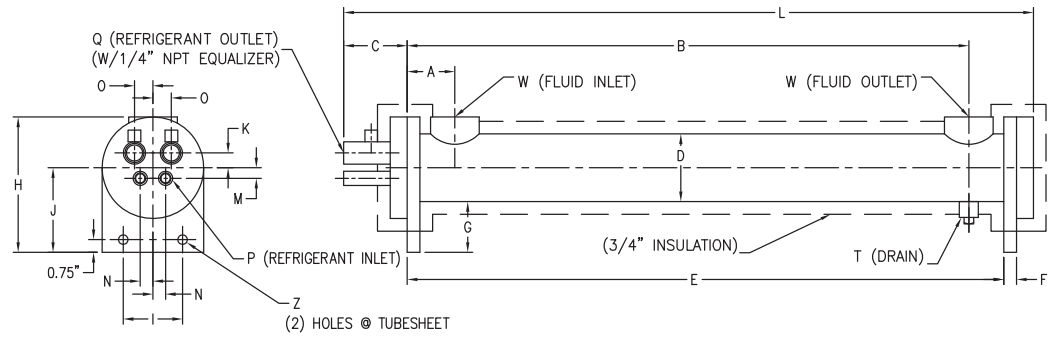
Models	R-410a Nom'l Cap.* (TR)	R-410a Pressure Drop (TR)	Connections				Fluid Volume (gal)	Specifications			Working Pressure (psig)	
			P Ref. In (ids)	Q Ref. Out (ids)	W Fluid Conn.	T (fpt)		Tube Length (inches)	D-Shell Shell Diameter (inches)	Shipping Weight (lbs)	Shell Side	Tube Side
TX10-2R410	10	4.0	5/8	7/8	2" FPT	1/2	1.2	36	4	70	225	375
TX12-2R410	12	5.0	5/8	1 1/8	2" FPT	1/2	3.4	36	6	120	225	375
TX15-2R410	15	5.2	5/8	1 1/8	2.5" FPT	1/2	3.2	36	6	128	225	375
TX20-2R410	20	5.9	5/8	1 1/8	2.5" FPT	1/2	2.9	36	6	136	225	375
TX25-2R410	25	4.7	7/8	1 3/8	3" FPT	1/2	2.6	36	6	142	225	375
TXC30-2R410	30	5.1	7/8	1 3/8	3" MPT	3/4	9.4	72	6 5/8	404	150	375
TXC40-2R410	40	4.9	7/8	1 5/8	3" MPT	3/4	17.7	72	8 5/8	556	150	375
TXC50-2R410	50	4.4	1 1/8	1 5/8	4" FLG	3/4	17.3	72	8 5/8	581	150	375
TXC60-2R410	60	6.0	1 1/8	1 5/8	4" FLG	3/4	20.1	84	8 5/8	634	150	375
TXC75-2R410	75	6.8	1 3/8	2 1/8	5" FLG	3/4	19.8	84	8 5/8	587	150	375
TXC100-2R410	100	5.7	1 3/8	2 1/8	5" FLG	3/4	28.8	84	10 3/4	1070	150	375
TXC120-2R410	120	4.5	1 3/8	2 5/8	6" FLG	3/4	27.2	84	12 3/4	1080	150	375
TXC150-2R410	150	6.4	1 5/8	2 5/8	6" FLG	3/4	34.4	84	14	1600	150	375
TXC175-2R410	175	5.9	1 5/8	3 1/8	6" FLG	3/4	31.4	84	14	1700	150	375
TXC200-2R410	200	4.6	2 1/8	3 1/8	8" FLG	3/4	42.5	84	16	2100	150	375
Multi-Circuit												
TX15-3-410	15	7.0	5/8	7/8	2 1/2" FPT	1/2	8.5	36	6	145	225	375
TX20-4-410	20	6.3	5/8	7/8	2 1/2" FPT	1/2	8.2	36	6	155	225	375

*Nominal ratings: Include an additive fouling coefficient of 0.0001 ft² hr²/Ftu over clean rating per AHRI standard 480-2007
 TR = 12,000 Btu/hr

- Serviceable
- 30% - 50% smaller than comparable models
- Easier to handle and position
- New advanced design
- UL listed or ASME
- 3/4" insulation
- Single and dual-circuit designs
- Custom DX designs available to 800 tons
- 33 TX/TXC-410 models from 2 through 200 tons
- Ideal for OEM and System Builder applications

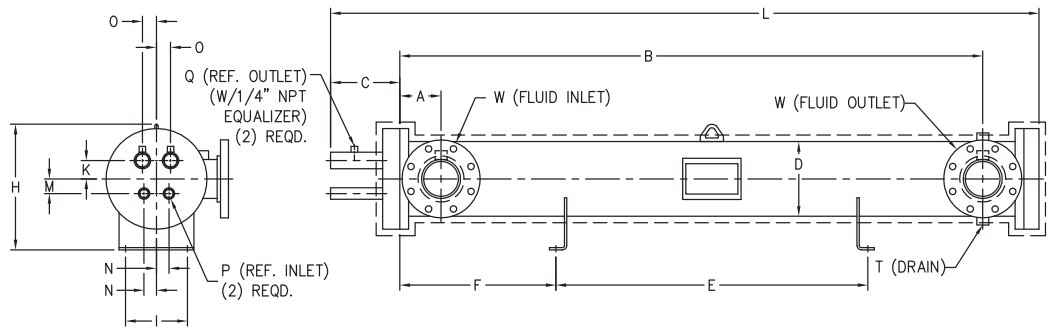
Models	Dimensions (inches)														
	H	L	A	B	C	E	F	G	I	J	K	M	N	O	Z
TX10-2R410	8	40 3/4	2 4/5	33 1/9	3 3/4	35 1/4	3/4	3	3 1/2	5	11/16	15/16	3/4	1	9/16
TX12-2R410	10	42 1/4	3	33	5	35 1/4	3/4	3	5 3/4	6	1	3/4	1 1/8	1 1/8	9/16
TX15-2R410	11	42 1/4	3 1/5	32 4/5	5	35 1/4	3/4	3	5 3/4	6	1 3/16	7/8	1 1/4	1 1/4	9/16
TX20-2R410	11	42 1/4	3 1/5	32 4/5	5	35 1/4	3/4	3	5 3/4	6	1 3/16	7/8	1 1/4	1 1/4	9/16
TX25-2R410	11	42 1/4	3 3/4	32 1/4	5	35 1/4	3/4	3	5 3/4	6	1 3/16	7/8	1 1/4	1 1/4	9/16
TXC30-2R410	13 1/2	81 1/2	4 1/4	67 3/4	8	54	18	3	5 1/4	-	1 1/2	1 1/2	1 3/4	1 3/4	9/16
TXC40-2R410	15 1/2	81 3/4	4 1/2	67 1/2	8	54	18	3	7 1/8	-	1 3/4	1 5/8	2	2	9/16
TXC50-2R410	16 1/2	81 3/4	4 3/4	67 1/4	8	54	18	3	7 1/8	-	1 3/4	1 5/8	2	2	9/16
TXC60-2R410	17 1/2	93 3/4	4 3/4	79 1/4	8	63	21	3	7 1/8	-	1 3/4	1 5/8	2	2	9/16
TXC75-2R410	18 1/2	93 3/4	5 1/2	78 1/2	8	63	21	3	7 1/8	-	1 3/4	1 5/8	2	2	9/16
TXC100-2R410	19 5/8	95 1/8	5 3/4	78 1/4	8 3/8	63	21	3 1/2	11 1/4	-	2 3/8	2 2/3	2 1/4	3 1/8	9/16
TXC120-2R410	19 5/8	94 7/8	6 3/8	76 1/8	8 3/8	63	21	3 1/2	11 1/4	-	2 3/8	2 2/3	2 1/4	3 1/2	9/16
TXC150-2R410	20 7/8	95 7/8	6 3/8	76 1/8	8 7/8	63	21	3 1/2	12	-	2 5/8	2 1/8	3	3	11/16
TXC175-2R410	20 7/8	95 7/8	6 3/8	76 1/8	8 7/8	63	21	3 1/2	12	-	2 5/8	2 3/4	3 1/3	3 1/3	11/16
TXC200-2R410	24 1/8	95 7/8	7 1/2	75	8.88	63 3/4	20 1/4	3 1/2	12	-	2 5/8	2 3/4	2 1/2	3 1/3	11/16
Multi-Circuit															
TX15-3 and TX20-4		Note: Multi-circuit model drawings on request													

TX - R410A
2-Circuit



TX10-2-410 THRU TX25-2-410

TXC-R410A
2-Circuit



TXC30-2-410 THRU TXC200-2-410