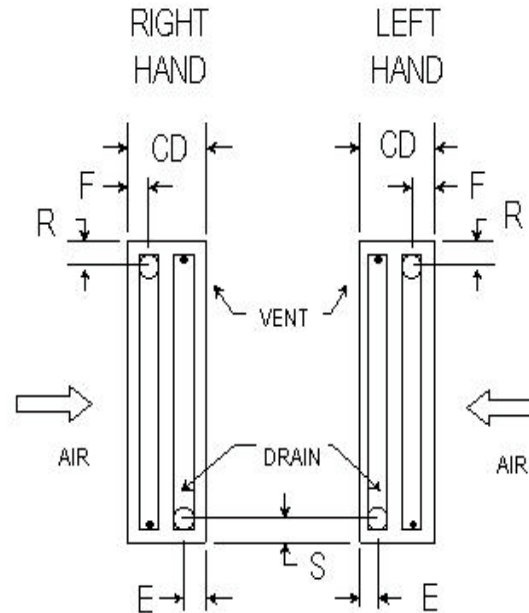
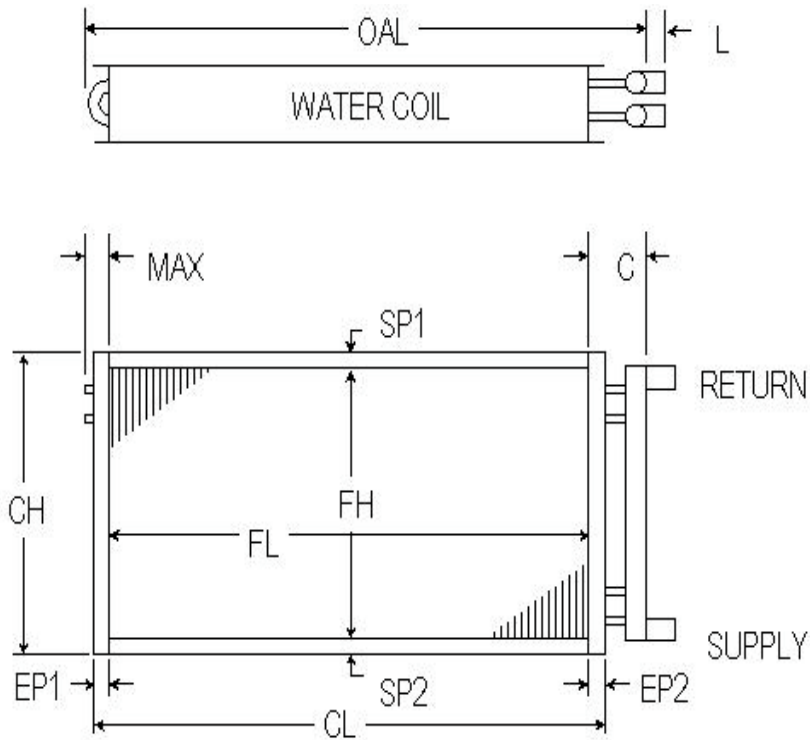


Water Coils



ROWS AVAILABLE	1	2	3	4	5
	6	8	10	12	
FPI AVAILABLE	6	7	8	9	10
	11	12	13	14	
TUBES OD & Wall Thickness	5/8	.020		.025	
<i>COPPER ONLY</i>	1/2	.035			
FINS Material & Thickness	ALUM.	.006		.010	
	COPPER	.006			
CASING	16 GA. GALV. STEEL				
	16 GA. STAINLESS STEEL				
HEADERS <i>COPPER ONLY</i>	5/8	7/8	1 1/8		
	1 3/8	1 5/8	2 1/8		
	2 5/8	3 1/8			

DIMENSIONAL DATA IN INCHES																SUPPLY		RETURN		CONNECTION SIZES				
ITEM	QTY	ROWS	FPI	SP1	FH	SP2	CH	EP1	FL	EP2	CL	MAX	C	OAL	L	CD	S	E	R	F	MPT	SWEAT		FPT
																					SUPPLY	RETURN	CU	
																							STL	
P.O. #								CUSTOMER																
W.O. #								MODEL NO.																
APPROVED BY								TAG:																
DATE								NOTES																
Performance Data	CFM				EDB/EWB			LDB/LWB				CAPACITY					EWT				LWT		GPM	