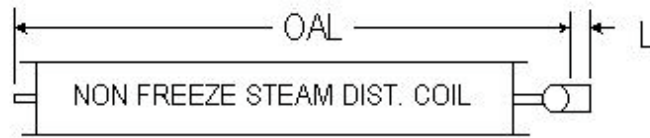
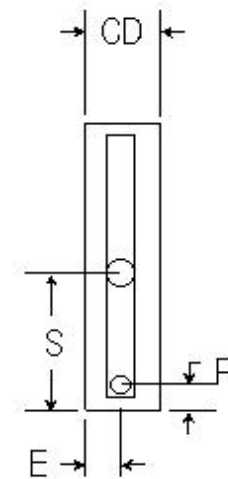
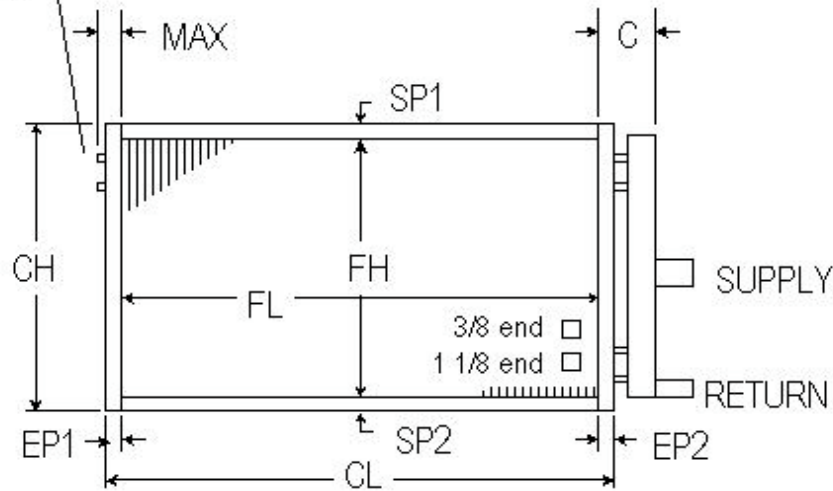


STEAM DISTRIBUTING

ROWS AVAILABLE	1	2			
FPI AVAILABLE	6 11	7 12	8 13	9 14	10
TUBES OD & Wall Thickness <i>COPPER ONLY</i>	5/8	.025 .035			
FINS Material & Thickness	ALUM. COPPER	.006 .006	.010		
CASING	16 GA. GALV. STEEL 16 GA. STAINLESS STEEL				
HEADERS <i>COPPER ONLY</i>	1 ROW 2 ROW	2 5/8 3 1/8			



Spun Closed Ends



DIMENSIONAL DATA IN INCHES

DIMENSIONAL DATA IN INCHES																	SUPPLY		RETURN		CONNECTION SIZES			
ITEM	QTY	ROWS	FPI	SP1	FH	SP2	CH	EP1	FL	EP2	CL	MAX	C	OAL	L	CD	S	E	R	E	□ MPT	5 SWEAT	FPT	CU
																								STL
P.O. #								CUSTOMER																
W.O. #								MODEL NO.																
APPROVED BY								TAG:																
DATE								NOTES																
Performance Data		CFM			EAT			LAT					CAPACITY										STEAM PRESSURE (psig)	